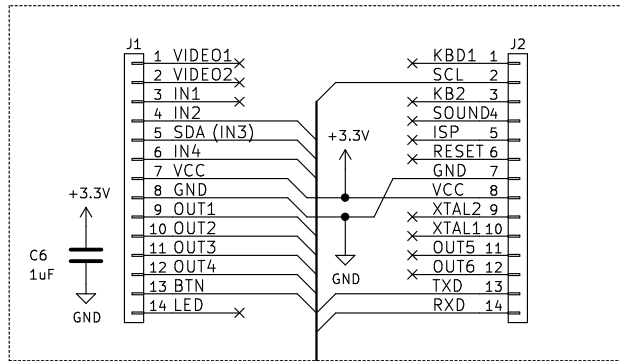
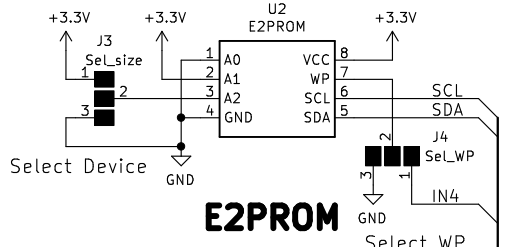
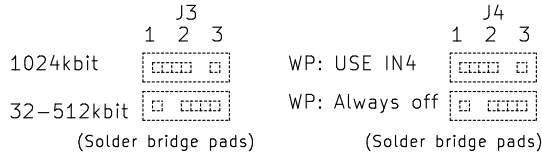
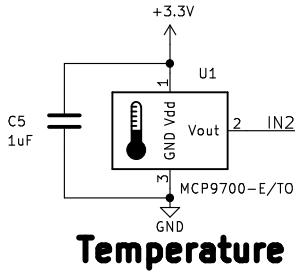
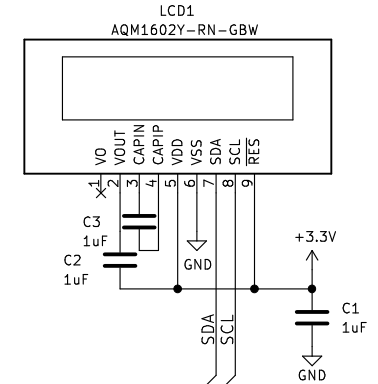


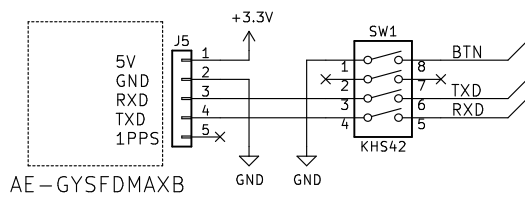
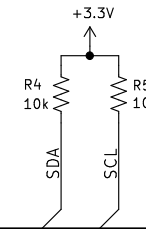
IchigoJam (TOP VIEW)



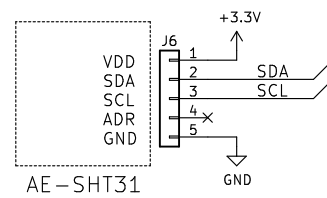
LCD monitor



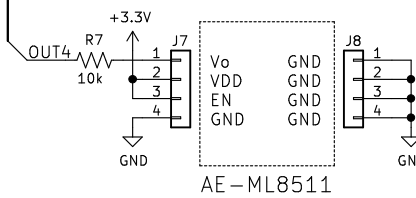
Temperature



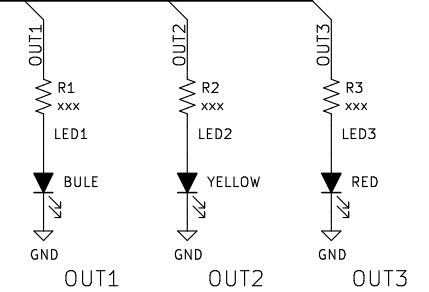
GPS



Temperature & Humidity



UV sensor

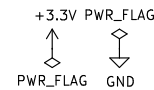


LED monitor

SW1

| No. | Action | ON | OFF |
|-----|------------|--------|---------|
| 1 | Auto start | Enable | Disable |
| 2 | | | |
| 3 | Use TxD | Enable | Disable |
| 4 | Use RxD | Enable | Disable |

C4: Missing number
R6: Missing number



Board-ID IJH-012a

J.Toyokawa
TEAM IchigoJam HOKKAIDO

Sheet: /
File: ICHIGO_SENSOR.sch

Title: Some sensors for IchigoJam

Size: A4 Date: 2019-12-30
KiCad E.D.A. kicad (5.1.2)-2

Rev: 1.1
Id: 1/1